

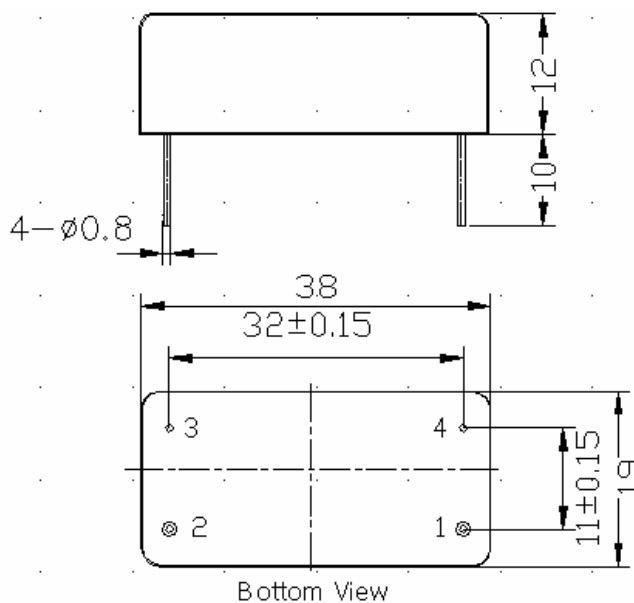


Specification: Crystal Filter 45.1MHz

Part Number: 45.1M05D50

R2.0

Item	Typical
Nominal Frequency (MHz)	45.1
Insertion Loss (dB)	7.0
Bandwidth at -6dB (kHz)	5.0
Bandwidth at -62dB (kHz)	10
Ultimate Rejection (dB)	73
I/O Impedance (Ω)	50
Operation Temperature ($^{\circ}\text{C}$)	-40 ~ +80
Storage Temperature ($^{\circ}\text{C}$)	-55 ~ +85
Package Size (mm)	38x19x12



Pin No	Description
1	Input/Output
2	Output/Input
3、4	Ground